



MDF-C8V1



**Space Saving
Personal Size**

-80°C
84 liters/3.0cu.ft.

Patented V.I.P.
(Vacuum Insulation Panel)

Personal size, space saving Ultra-Low Freezer with Improved energy consumption

- V.I.P. technology maximises storage capacity
- Space-saving design enables effective use of laboratory space
- Filterless structure makes cleaning unnecessary
- Alarms secure valuable samples safety
- Low noise design
- Achieves energy savings of approx. 40%*

*SANYO comparison

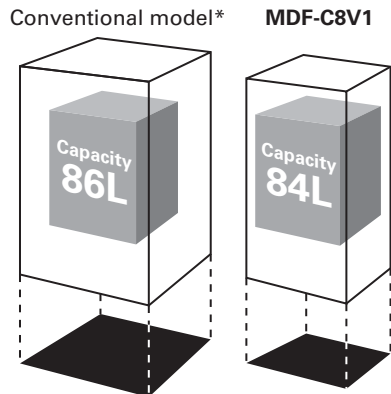
MDF-C8V1

Features

Patented insulation system: V.I.P.

Panasonic's advanced insulation system V.I.P. enables reducing the thickness of insulation to approximately one half compared to conventional systems. Small freezers such as MDF-C8V1 takes full advantage of this feature.

Use of V.I.P. insulation material on the front, left, and right sides enables a smaller installation space with the highest-class storage capacity ratio.



*Panasonic comparison

Installation space **0.525m²** **0.377m²**

Newly developed single-compressor system

Use of a newly developed single-compressor system achieves an approximately 40% reduction in power consumption and enables low-noise operation.

	Rated power consumption
MDF-C8V1	340W/330W
Conventional model*	550W/600W

*Panasonic comparison (115V, 60Hz/230V, 50Hz)

Specifications

Model No.	MDF-C8V1
Temperature range	-60 to -80°C (1°C increments)
Maximum cooling performance	-80°C (Ambient temp. 30°C)
Exterior dimensions (W x D x H)	550 x 685 x 945 (mm) / 21.6 x 27.0 x 37.2 (inch)
Interior dimensions (W x D x H)	405 x 490 x 425 (mm) / 15.9 x 19.3 x 16.7 (inch)
Effective capacity	84 Liter (3.0 cu.ft.)
Net weight	Approx. 67 kg (148 lbs.)
Storage capacity	2" box: 42pcs. (IR-207C x 6 racks)
Outer door/Inner door	Outer Lid: 1piece, Inner Lid: 1piece (PS + PE foam)
Insulation	New VIP + Rigid polyurethane foam (HC)
Cooling system	New mixed refrigerant cooling system
Compressor	Rotary type, Output: 400W
Refrigerant	HFC
Evaporator	Tube on sheet type
Alarm system	<ul style="list-style-type: none"> • High/Low temp. alarm (±5°C to ±20°C) • Power failure alarm • Remote alarm contact: DC30V, 2A

Voltage specification by destination

Representative destination	Voltage	Model No.
Europe	230V, 50Hz (CE)	MDF-C8V1-PE
Korea	220V, 60Hz	MDF-C8V1-PK
Thailand	220V, 50Hz	MDF-C8V1-PB
Taiwan	110V/220V, 60Hz	MDF-C8V1-PT

*Cooling performance is indicated by the temperature reached at the center of the freezer (at ambient temperature of 30°C with no load).

In order to use the freezer at a stable temperature for a long time, it is recommended that the temperature be set to at least 5°C higher than the indicated lowest temperature. In addition, depending on the usage conditions, it may not be possible to reach the indicated lowest temperature.

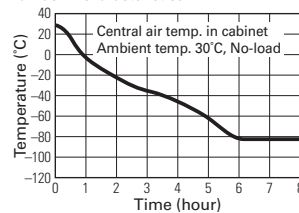
Caution: Panasonic guarantees the product under certain warranty conditions. Panasonic in no way shall be responsible for any loss of content or damage to content.
 • Appearance and specifications are subject to change without notice.

New cooling circuit enables filterless structure

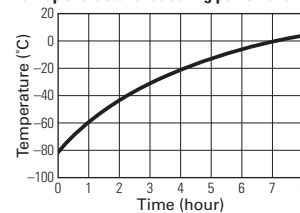
A new cooling circuit makes the inconvenient customer maintenance procedure of filter cleaning unnecessary.

Performance Data

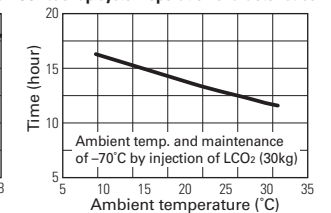
Pull-down characteristics



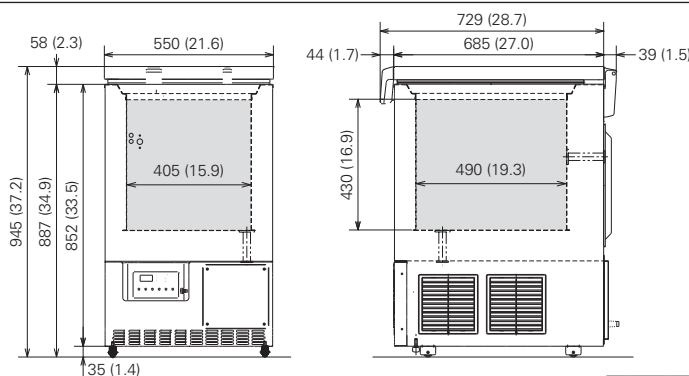
Pull-up characteristics during power failure



CO₂ backup system operation characteristics



Dimensions



Unit: mm (inch)

Options

LCO₂ Back-up system



CVK-UB4-PW

Back-up system mounting kit
MDF-UBK-PW

Temperature recorders



Circular recorder
MTR-G85C-PE

Sensor cover
MTR-C8-PW

Inventory rack
IR-207C-PW

IR-305C-PW



Strip chart recorder
MTR-85H-PW

Recorder mounting kit
MDF-S3085-PW
(for MTR-85H-PW)



Panasonic Healthcare Co., Ltd., Gunma Factory is certified for:

Quality management system: ISO9001

Medical devices quality management system: ISO13485



Panasonic Healthcare Co., Ltd., Gunma Factory is certified for:

Environmental management system: ISO14001

DISTRIBUTED BY:

Panasonic

<http://biomedical.sanyo.com/>